

ProLite T1931SAW-1



The ProLite T1931SAW-1 uses highly accurate Surface Acoustic Wave Touch Technology (SAW) with a pure-glass scratch resistive front, offering superior image clarity and screen durability. The screen can be touched with a soft stylus, finger or gloved hand making it suitable for a number of applications, and the robust design and solid but flexible stand ensures resilience in the most demanding environment. Menu Buttons are located on the side of the screen which can be locked to prevent tampering, and include a handy function to deactivate the Touch Screen for cleaning. The Iiyama ProLite T1931SAW-1 Touch Screen is ideal for a wide range of applications including Point of Sale, Kiosks, Hospitality and Entertainment, Control rooms, Education, Training and many others.

DISPLAY CHARACTERISTICS

| | |
|---------------------|---|
| Diagonal | 19" |
| Touchtechnology | surface acoustic wave |
| Panel | TN |
| Glass hardness | 8H minimum |
| Display area h x w | 301 x 376 mm; 11.9" x 14.8" |
| Response time | 5 ms |
| Static contrast | 900 : 1 with touch panel |
| Brightness | 300 cd/m ² max. |
| Brightness | 230 cd/m ² with touch panel |
| Viewing zone | horizontal/vertical: 170° / 160°; right/left: 85° / 85°; up/down: 80° / 80° |
| Display colour | 16.7 million |
| Pixel pitch h x v | 0.294 x 0.294 mm |
| Native resolution | 1280 x 1024 (1.3 megapixel) |
| Horizontal sync | 31.5 - 80 KHz |
| Vertical sync | 56 - 75 Hz |
| Synchronization | Separate Sync |
| Aspect ratio | 5 : 4 |
| Light transmittance | 92% |

POWER MANAGEMENT

| | |
|-------------------|---|
| Power supply | AC 100 - 240 V, 50 / 60 Hz |
| Power Supply Unit | internal |
| Power usage | 20 W typical; max. 3 W in Power management mode |
| Power management | VESA DPMS |

DIMENSIONS / WEIGHT

| | |
|----------------------|--------------------|
| Dimensions w x h x d | 432 x 390 x 218 mm |
| Weight | 6.6 kg |

INTERFACES / CONNECTORS / CONTROLLERS

| | |
|-------------------------|--------------|
| Analog input connector | D-Sub |
| Digital input connector | DVI-D |
| Inputs | USB, RS-232C |
| | D-Sub, DVI-D |

SPECIAL FEATURES

| | |
|-------------------|--|
| Apple - Mac | OS9, OSX |
| Plug & Play | VESA DDC 2B™ |
| Controls | On-Screen-Display in 8 languages (DE, EN, ES, FR, IT, JP, Chinese - traditional and simplified) and 5 front controls (Menu, Scroll up/ Brightness, Scroll down/ Mute, Select/ Auto, Power) |
| User controls | contrast, brightness, auto adjust, H.position, V.position, H.size, phase, OSD H.position, OSD V.position, OSD timeout, reset, input select, OSD language, colour temperature, volume, mute |
| Speakers | 2 x 1 W (Stereo) |
| Anti-theft-device | Kensington-lock™ prepared |
| Safety | CE, TÜV-Bauart, Gost-R, VCCI, IP54 |
| Tilt angle | 90° up; 5° down |
| VESA mounting | 100 x 100 mm |

ACCESSORIES

| | |
|----------------------|---|
| Driver | Windows (7, Vista, XP, 9X, 2000, CE, NT4), Linux, Mac (OSX, OS9), DOS |
| Included accessories | power cable, D-Sub signal cable, DVI-D signal cable, RS-232C signal cable, audio cable, USB cable, Touch Panel Driver Disk (CD-ROM), screw, quick start guide |

ProLite T1931SR-1


ProLite T1931SR-1 is based on the latest 5 Wire Resistive technology. Price / performance ratio is ideal for the budget conscious user while quality and specification is certainly not compromised. The display inputs include both Analogue and Digital (DVI) with Touchscreen connectivity via either USB or RS-232 which offers greater than typical flexibility. A solid and steady base supports the TouchScreen with an adjustable stand offering full 90 degree angles. Extensive Touch Utilities allow for 4 point calibration and either 9/25 point linearization. An incredibly powerful Touch solution.

DISPLAY CHARACTERISTICS

| | |
|---------------------|---|
| Diagonal | 19" |
| Touchtechnology | resistive |
| Panel | TN |
| Display area h x w | 301 x 376 mm; 11.9" x 14.8" |
| Response time | 5 ms |
| Static contrast | 900 : 1 with touch panel |
| Brightness | 200 cd/m ² with touch panel |
| Viewing zone | horizontal/vertical: 170° / 160°; right/left: 85° / 85°; up/down: 80° / 80° |
| Display colour | 16.7 million |
| Pixel pitch h x v | 0.294 x 0.294 mm |
| Native resolution | 1280 x 1024 (1.3 megapixel) |
| Horizontal sync | 31.5 - 80 KHz |
| Vertical sync | 56 - 75 Hz |
| Synchronization | Separate Sync |
| Aspect ratio | 5 : 4 |
| Light transmittance | 80% |

POWER MANAGEMENT

| | |
|-------------------|---|
| Power supply | AC 100 - 240 V, 50 / 60 Hz |
| Power Supply Unit | internal |
| Power usage | 25 W typical; max. 2 W in Power management mode |
| Power management | VESA DPMS |

DIMENSIONS / WEIGHT

| | |
|----------------------|--------------------|
| Dimensions w x h x d | 431 x 391 x 218 mm |
| Weight | 6.5 kg |

INTERFACES / CONNECTORS / CONTROLLERS

| | |
|-------------------------|--------------|
| Analog input connector | D-Sub |
| Digital input connector | DVI-D |
| Inputs | USB, RS-232C |

SPECIAL FEATURES

| | |
|-------------------|--|
| Apple - Mac | OS9, OSX |
| Plug & Play | VESA DDC 2B™ |
| Controls | On-Screen-Display in 8 languages (DE, EN, ES, FR, IT, JP, Chinese - traditional and simplified) and 5 front controls (Menu, Scroll up/ Brightness, Scroll down/ Mute, Select/ Auto, Power) |
| User controls | contrast, brightness, auto adjust, H.position, V.position, H.size, phase, OSD H.position, OSD V.position, OSD timeout, reset, input select, OSD language, colour temperature, volume, mute |
| Speakers | 2 x 1 W (Stereo) |
| Anti-theft-device | Kensington-lock™ prepared |
| Safety | CE, TÜV-Bauart, Gost-R, VCCI, IP54 |
| Tilt angle | 90° up; 5° down |
| VESA mounting | 100 x 100 mm |
| Colour | Black, White |

ACCESSORIES

| | |
|----------------------|---|
| Driver | Windows (Vista, XP, 9X, 2000, CE, NT4), Linux, Mac (OSX, OS9), DOS |
| Included accessories | power cable, D-Sub signal cable, DVI-D signal cable, RS-232C signal cable, audio cable, USB cable, Touch Panel Driver Disk (CD-ROM), screw, quick start guide |



ProLite T1932MSC

The ProLite T1932MSC 19" multi-touch screen is based on projected capacitive technology which thanks to a glass overlay covering the screen guarantees high durability, scratch-resistance and perfect picture performance. The touch function remains unaffected even if the glass is scratched. A solid and steady base supports the TouchScreen with an adjustable stand offering full 90 degree positioning angles. Menu Buttons are located on the side of the screen which can be locked to prevent tampering and includes a handy function to deactivate the TouchScreen for cleaning. In addition the edge-to-edge glass design creates an eye-catching finish with high light transmission guaranteeing perfect picture clarity and brilliant colours. Analogue and DVI inputs are available for flexible connectivity along with USB for the Touch Interface. The multi-touch function is supported only under Windows® 7 and 8.

DISPLAY CHARACTERISTICS

| | |
|---------------------|--|
| Diagonal | 19" |
| Touchtechnology | projective capacitive, multitouch (2 compatible touch points - supported only under Windows® 7/8), activated by finger |
| Panel | TN |
| Glass hardness | 7H minimum |
| Display area h x w | 301.1 x 376.5 mm; 11.9" x 14.8" |
| Response time | 5 ms |
| Static contrast | 800 : 1 with touch panel |
| Brightness | 225 cd/m ² with touch panel |
| Viewing zone | horizontal/vertical: 170° / 160°; right/left: 85° / 85°; up/down: 80° / 80° |
| Display colour | 16.7 million |
| Pixel pitch h x v | 0.294 x 0.294 mm |
| Native resolution | 1280 x 1024 (1.3 megapixel) |
| Horizontal sync | 31,4 - 80 KHz |
| Vertical sync | 56 - 75 Hz |
| Synchronization | Separate Sync |
| Aspect ratio | 5 : 4 |
| Light transmittance | 90% |

POWER MANAGEMENT

| | |
|-------------------|---|
| Power supply | AC 100 - 240 V, 50 / 60 Hz |
| Power Supply Unit | internal |
| Power usage | 25 W typical; max. 2 W in Power management mode |
| Power management | VESA DPMS |

DIMENSIONS / WEIGHT

| | |
|----------------------|--------------------|
| Dimensions w x h x d | 432 x 391 x 219 mm |
| Weight | 6.9 kg |

INTERFACES / CONNECTORS / CONTROLLERS

| | |
|-------------------------|------------------------------|
| Analog input connector | VGA (D-Sub) |
| Digital input connector | DVI-D |
| Inputs | USB (for touch connectivity) |

SPECIAL FEATURES

| | |
|-------------------|--|
| Controls | On-Screen-Display in 8 languages (DE, EN, ES, FR, IT, JP, Chinese - traditional and simplified) and 5 front controls (Menu, Scroll up/ Brightness, Scroll down/ Mute, Select/ Auto, Power) |
| User controls | contrast, brightness, auto adjust, H.position, V.position, H.size, phase, OSD H.position, OSD V.position, OSD timeout, reset, input select, OSD language, colour temperature, volume, mute |
| Speakers | 2 x 1 W (Stereo) |
| Anti-theft-device | Kensington-lock™ prepared |
| Safety | CE, TÜV/Bauart, VCCI, CB, CU, IP54 |
| Tilt angle | 90° up; 5° down |
| VESA mounting | 100 x 100 mm |
| Colour | Black |

ACCESSORIES

| | |
|----------------------|---|
| Driver | multi-touch: Windows 7/8 (HID compliant), single-touch: Vista, XP, 9X, 2000, CE, NT4), Linux, Mac (OSX) |
| Included accessories | power cable, VGA (D-Sub) signal cable, DVI-D signal cable, audio cable, USB cable, Touch Panel Driver Disk (CD-ROM), screw, quick start guide, safety guide |



19" 5-wire resistive touchscreen

ProLite T1931SR-B5 is based on 5 wire resistive touch technology. The price / performance ratio is ideal for the budget conscious user while quality and performance are certainly not compromised. The display inputs include both analogue and digital (HDMI and DisplayPort) with touchscreen connectivity via USB offering great flexibility. A solid and steady base supports the touchscreen with an adjustable stand offering full 90-degree angles. The ProLite T1931SR-B5 can be used in a variety of environments, especially recommended for shops, restaurants and industrial purposes. Available in black and white.



Touch technology - Resistive

5-wire resistive touchscreens are very durable and can be used in a variety of environments. They are especially recommended for shops, restaurants and industrial purposes.



ip54

The IP Code classifies how resistant a device is to foreign objects and moisture. IP54 means that the monitor will operate in dusty conditions, and will resist splashing water.

01 DISPLAY CHARACTERISTICS

| | |
|-------------------------|---|
| Diagonal | 19", 48cm |
| Panel | TN LED |
| Native resolution | 1280 x 1024 (1.3 megapixel) |
| Aspect ratio | 5:4 |
| Brightness | 250 cd/m ² typical |
| Brightness | 200 cd/m ² with touch |
| Static contrast | 1000:1 with touch |
| Light transmittance | 80% |
| Response time | 5ms |
| Viewing zone | horizontal/vertical: 170°/160°, right/left: 85°/85°, up/down: 80°/80° |
| Colour support | 16.7mln 8bit (6bit + Hi-FRC) |
| Horizontal Sync | 31 - 80KHz |
| Vertical Sync | 50 - 75Hz |
| Viewable area W x H | 376 x 301mm, 14.8 x 11.9" |
| Pixel pitch | 0.294mm |
| Bezel colour and finish | black, matte |

02 TOUCH

| | |
|------------------|-----------------------|
| Touch technology | serial resistive |
| Touch points | 1 |
| Touch method | stylus, finger, glove |
| Touch interface | USB |

03 INTERFACES / CONNECTORS / CONTROLS

| | |
|----------------------|---------------------------|
| Analog signal input | VGA x1 |
| Digital signal input | HDMI x1 DisplayPort x1 |
| Audio output | Speakers 2 x 1W |
| HDCP | yes |

04 FEATURES

| | |
|----------------|--------------|
| Impact testing | IP54 (front) |
| OSD key lock | yes |

05 GENERAL

| | |
|-----------------|--|
| OSD languages | EN, DE, FR, ES, IT, CN, JP |
| Control buttons | Menu, Scroll up/ Brightness, Scroll down/ Mute, Select, Power |
| User controls | contrast, brightness, auto adjust, H.position, V.position, H.size, phase, OSD H.position, OSD V.position, OSD timeout, reset, input select, OSD language, colour temperature, volume, mute |
| Convenience | Kensington-lock™ prepared |
| Plug&Play | DDC2B |

06 MECHANICAL

Tilt angle 90° up; 5° down

VESA mounting 100 x 100mm

Cable management system yes

07 ACCESSORIES INCLUDED

Cables power, USB, HDMI, Audio, DP

Guides quick start guide, safety guide

Other Touch Panel Driver Disk (CD-ROM)

Cable cover yes

08 POWER MANAGEMENT

Power supply unit internal

Power supply AC 100 - 240V, 50/60Hz

Power usage 20W typical, 2W stand by

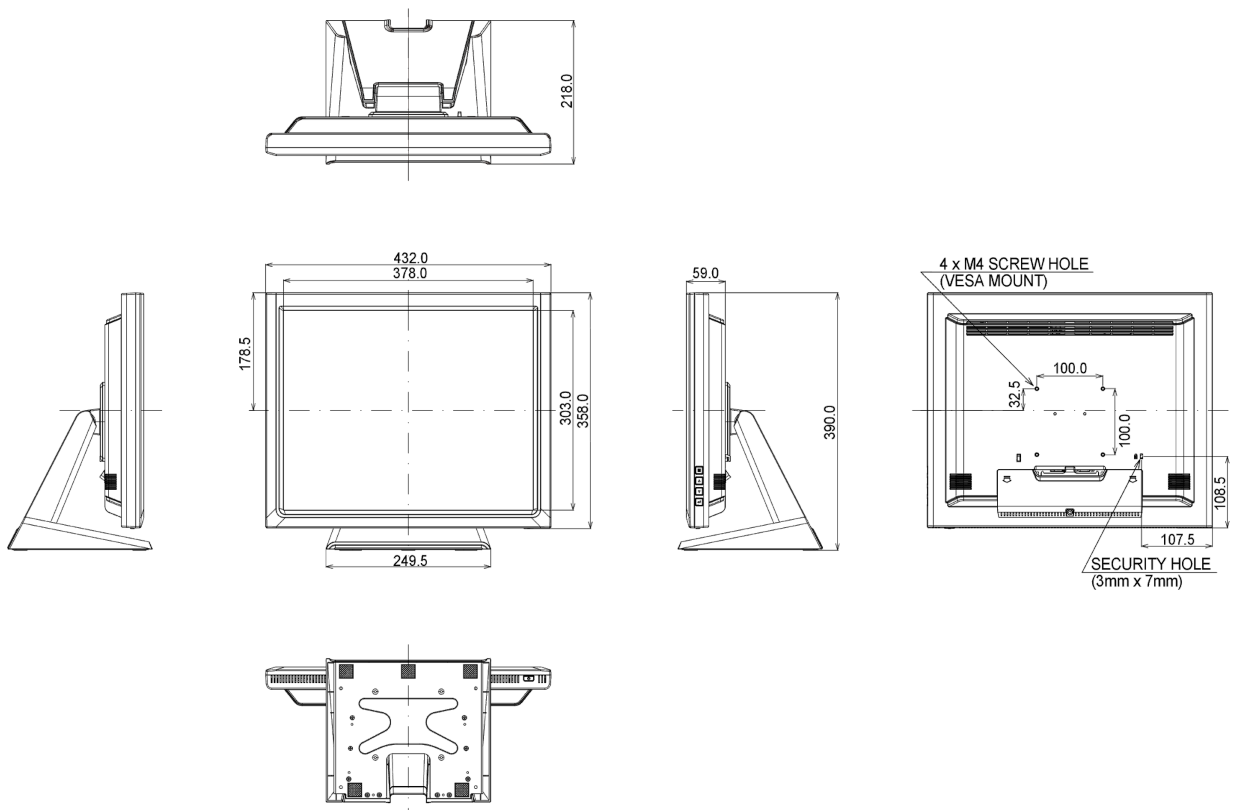
09 SUSTAINABILITY

Regulations CB, CE, TÜV-Bauart, VCCI, GOST

10 DIMENSIONS / WEIGHT

Product dimensions W x H x D 432 x 390 x 218mm

Weight (without box) 6.6kg



All trademarks and registered trademarks acknowledged. E & O E. Specification subject to change without notice. All LCD's comply with ISO-9241-307:2008 in connection with pixel defects.

© IYAMA CORPORATION. ALL RIGHTS RESERVED



19" 10pt touch monitor featuring IPS panel and AG coating

The ProLite T1932MSC-B5AG 19" multi touch screen is based on projective capacitive technology which thanks to a glass overlay covering the screen guarantees high durability, scratch-resistance and perfect picture performance. The IPS matrix guarantees high performance with accurate and consistent colour reproduction, and wide viewing angles. Anti Glare coating helps to avoid issues with reflections and external light sources affecting colour reproduction, contrast and sharpness. Its touch function remains unaffected even if the glass is scratched. A solid and steady base supports the touch screen with an adjustable stand offering full 90 degree positioning angles. In addition, the edge-to-edge glass design creates an eye-catching finish with high light transmission guaranteeing perfect picture clarity and brilliant colours.

Available also in white: [ProLite T1932MSC-W5AG](#)



IPS

IPS displays are best known for wide viewing angles and natural, highly accurate colours. They are especially suited for colour-critical applications.



Touch technology - Capacitive

This technology uses a sensor-grid of micro-fine wires integrated into the glass that covers the screen. Touch is detected because electrical characteristics of the sensor grid change when human finger is placed on the glass. Thanks to the glass overlay this technology is highly durable, and the touch function remains unaffected even if the glass is scratched. It offers perfect picture performance and will work with human finger (also latex gloved) and stylus-pen.

01 DISPLAY CHARACTERISTICS

| | |
|-------------------------|--|
| Design | Edge to edge glass |
| Diagonal | 19", 48cm |
| Panel | IPS LED |
| Native resolution | 1280 x 1024 (1.3 megapixel) |
| Aspect ratio | 5:4 |
| Panel brightness | 250 cd/m ² |
| Brightness | 215 cd/m ² with touch |
| Light transmittance | 85% |
| Static contrast | 1000:1 with touch |
| Response time (GTG) | 14ms |
| Viewing zone | horizontal/vertical: horizontal°/vertical horizontal°, right/left: 0°/0°, up/down: 0°/0° |
| Colour support | 16.7mln |
| Horizontal Sync | 31 - 80kHz |
| Viewable area W x H | 374.8 x 300mm, 14.8 x 11.8" |
| Pixel pitch | 0.2928mm |
| Bezel colour and finish | black, matte |

02 TOUCH

| | |
|-----------------------------|---|
| Touch technology | projective capacitive |
| Touch points | 10 (HID, only with supported OS) |
| Touch method | stylus, finger, glove |
| Touch interface | USB |
| Supported operating systems | All iiyama monitors are Plug & Play and compatible with Windows and Linux. For details regarding the supported OS for the touch models, please refer to the driver instruction file available in the downloads section. |

03 INTERFACES / CONNECTORS / CONTROLS

| | |
|----------------------|---------------------------|
| Analog signal input | VGA x1 |
| Digital signal input | HDMI x1 DisplayPort x1 |
| Audio output | Speakers 2 x 1W |
| HDCP | yes |

04 FEATURES

| | |
|---------------------------|--------------|
| Water and dust protection | IP54 (front) |
| OSD key lock | yes |

05 GENERAL

| | |
|-----------------|---|
| OSD languages | EN, DE, FR, ES, IT, CN, JP |
| Control buttons | Menu, Scroll up/ Brightness, Scroll down/ Mute, Select/ Auto, Power |
| User controls | contrast, brightness, auto adjust, H.position, V.position, H.size, fine, OSD H.position, OSD V.position, OSD timeout, reset, input select, OSD language, colour temperature, volume, mute |
| Convenience | Kensington-lock™ prepared |
| Plug&Play | DDC2B |

06 MECHANICAL

| | |
|-------------------------|-----------------|
| Tilt angle | 90° up; 5° down |
| VESA mounting | 100 x 100mm |
| Cable management system | yes |

07 ACCESSORIES INCLUDED

| | |
|-------------|----------------------------------|
| Cables | power, USB, HDMI, Audio, DP |
| Guides | quick start guide, safety guide |
| Other | Touch Panel Driver Disk (CD-ROM) |
| Cable cover | yes |

08 POWER MANAGEMENT

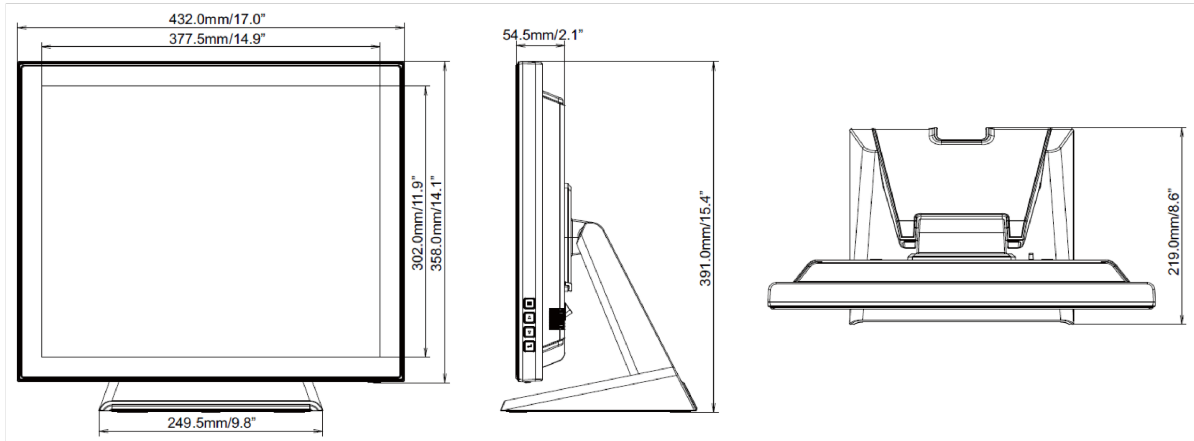
| | |
|-------------------|---------------------------------------|
| Power supply unit | internal |
| Power usage | 25W typical, 2W stand by, 2W off mode |

09 SUSTAINABILITY

| | |
|---|---|
| Regulations | CB, CE, RoHS support, ErP, WEEE, CU, cULus, VCCI, REACH |
| Energy efficiency class (Regulation (EU) 2017/1369) | E |
| REACH SVHC | above 0.1%: Lead |

10 DIMENSIONS / WEIGHT

| | |
|------------------------------|-------------------|
| Product dimensions W x H x D | 432 x 391 x 219mm |
| Weight (without box) | 6.9kg |
| EAN code | 4948570116133 |



All trademarks and registered trademarks acknowledged. E & O E. Specification subject to change without notice. All LCD's comply with ISO-9241-307:2008 in connection with pixel defects.

© IIYAMA CORPORATION. ALL RIGHTS RESERVED